

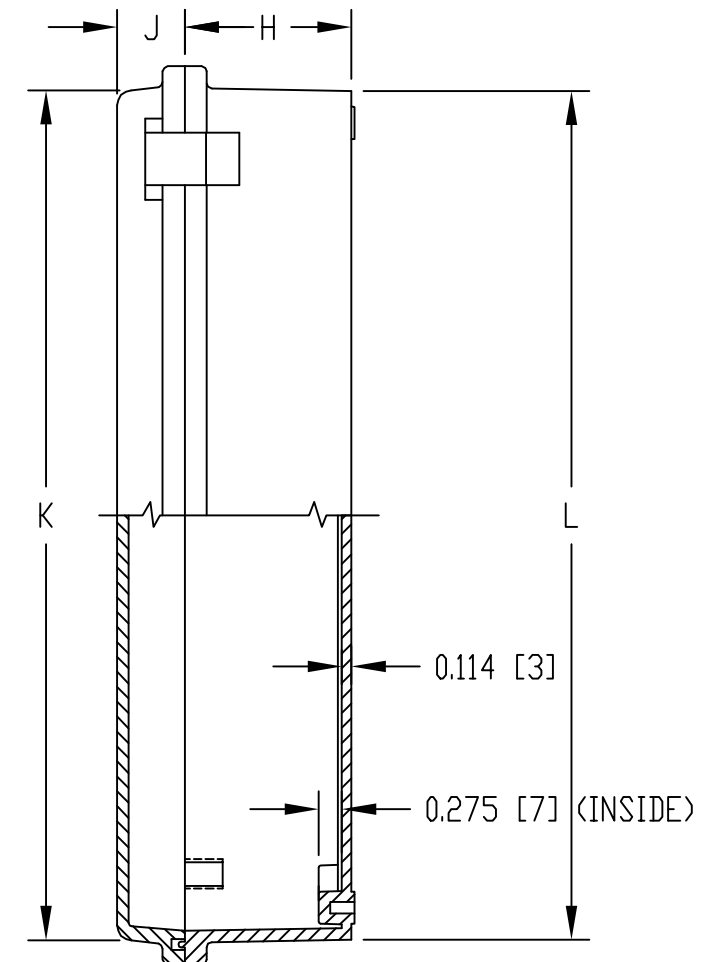
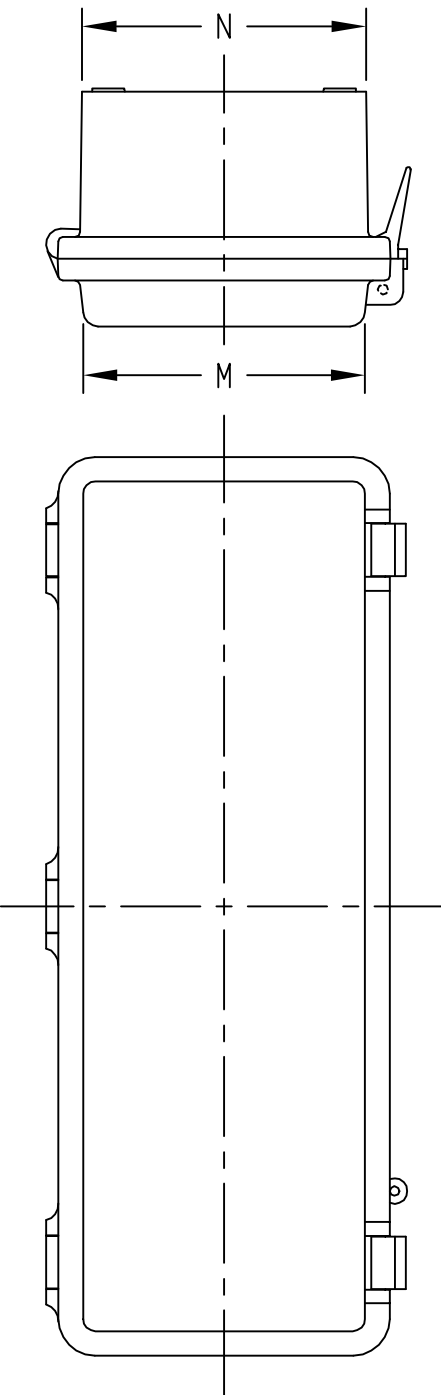
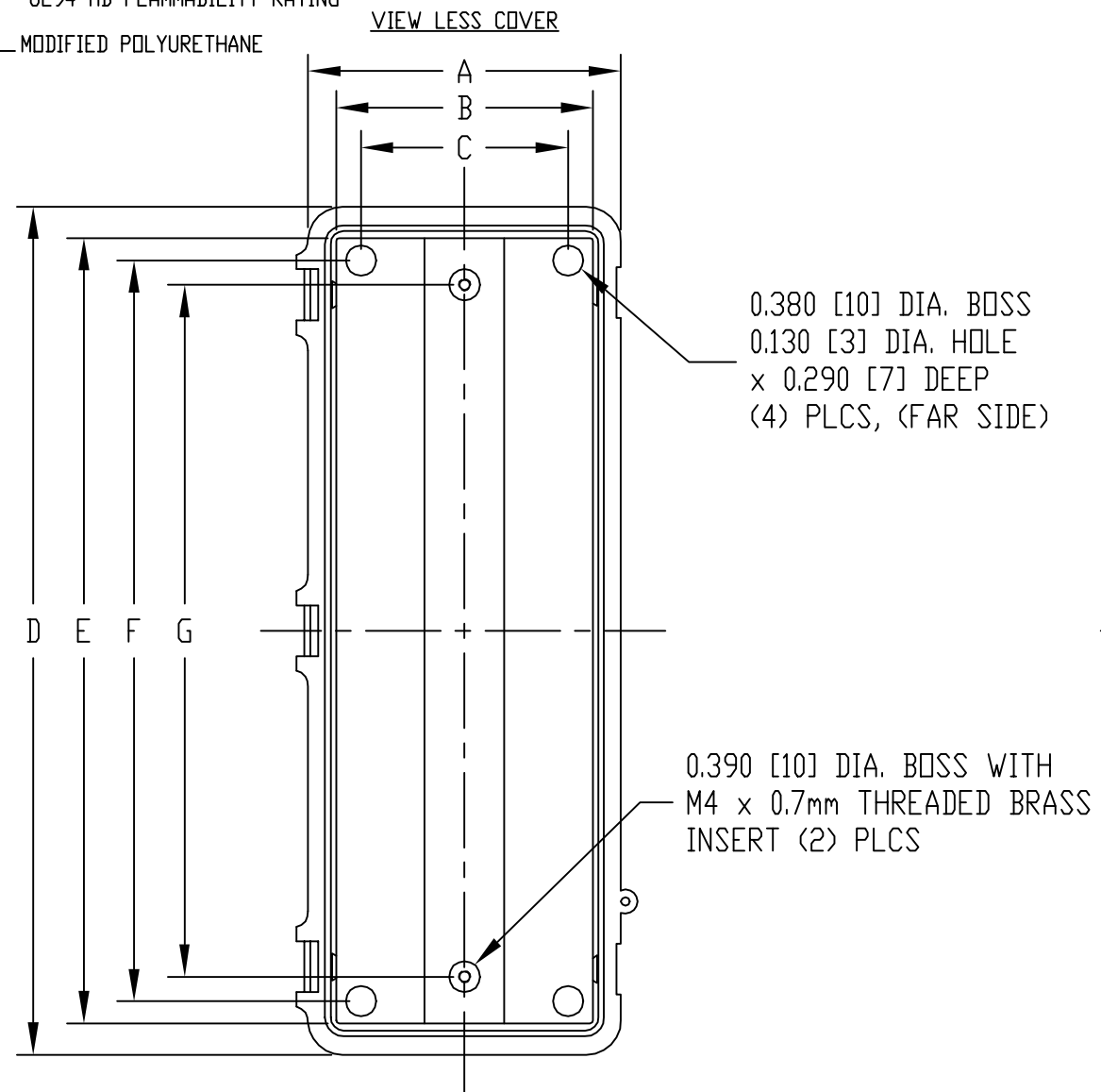
PART NAME	NON-METALLIC ENCLOSURE (STYLE B)	PART No.	NBB-10223 & NBB-10233 & NBB-22223	REV. DATE	6-26-07
-----------	----------------------------------	----------	-----------------------------------	-----------	---------

MATERIAL:
UL LISTED INDOOR VERSION
 SOLID BODY & COVER _____ ABS/PC BLENDED PLASTIC
 UL94-5VB FLAMMABILITY RATING
 CLEAR COVER _____ POLYCARBONATE PLASTIC
 UL94V-0 FLAMMABILITY RATING
 UV STABILIZED
ABS VERSION
 SOLID BODY & COVER _____ ABS
 UL94-HB FLAMMABILITY RATING
ALL VERSIONS
 GASKET _____ MODIFIED POLYURETHANE

FINISH:
 BODY _____ LIGHT GRAY
 COVER _____ LIGHT GRAY OR CLEAR
 LATCHES & HINGES _____ NON-METALLIC
 WALL MOUNTING BRACKETS _____ STAINLESS STEEL

NOTE: UNIT COMES COMPLETE WITH (4) WALL MOUNTING BRACKETS & (4) M5 x 12mm LG. TRUSS HD. SELF-TAPPING SCREWS (NOT SHOWN)
 COVER INCLUDES GRAY POLYURETHANE GASKET.

INDUSTRY STANDARDS:
UL LISTED INDOOR VERSION
 UL508 TYPE 1, 2, 3, 3R, 4, 4X INDOOR, 12 & 13
 NEMA TYPE 1, 2, 3, 3R, 4, 4X, 12 & 13
 IEC529-IP65
ABS VERSION
 NEMA TYPE 1, 2, 3, 3R, 4, 4X, 12 & 13
 IEC529-IP65



AIR AND MOISTURE VENTS AND GALVANIZED STEEL INTERNAL PANEL ARE NOT INCLUDED, BUT CAN BE PURCHASED SEPARATELY.

NOTE: ALL DIMENSIONS HAVE ±0.039 [±1] TOLERANCE UNLESS OTHERWISE SPECIFIED

UL LISTED INDOOR VERSION		ABS VERSION
PART NO.		PART NO.
SOLID COVER	CLEAR COVER	SOLID COVER
NBB-10223	NBB-10233	NBB-22223

DIMENSIONS															
DIMENSIONS =			INCHES [MILLIMETERS]												
A	B	C	D	E	F	G	H	J	K	L	M	N			
3.925	3.225	2.598	10.635	9.900	9.290	8.678	1.975	.800	10.060	10.050	3.335	3.360			
[100]	[82]	[66]	[270]	[251]	[236]	[220]	[50]	[20]	[256]	[255]	[85]	[85]			